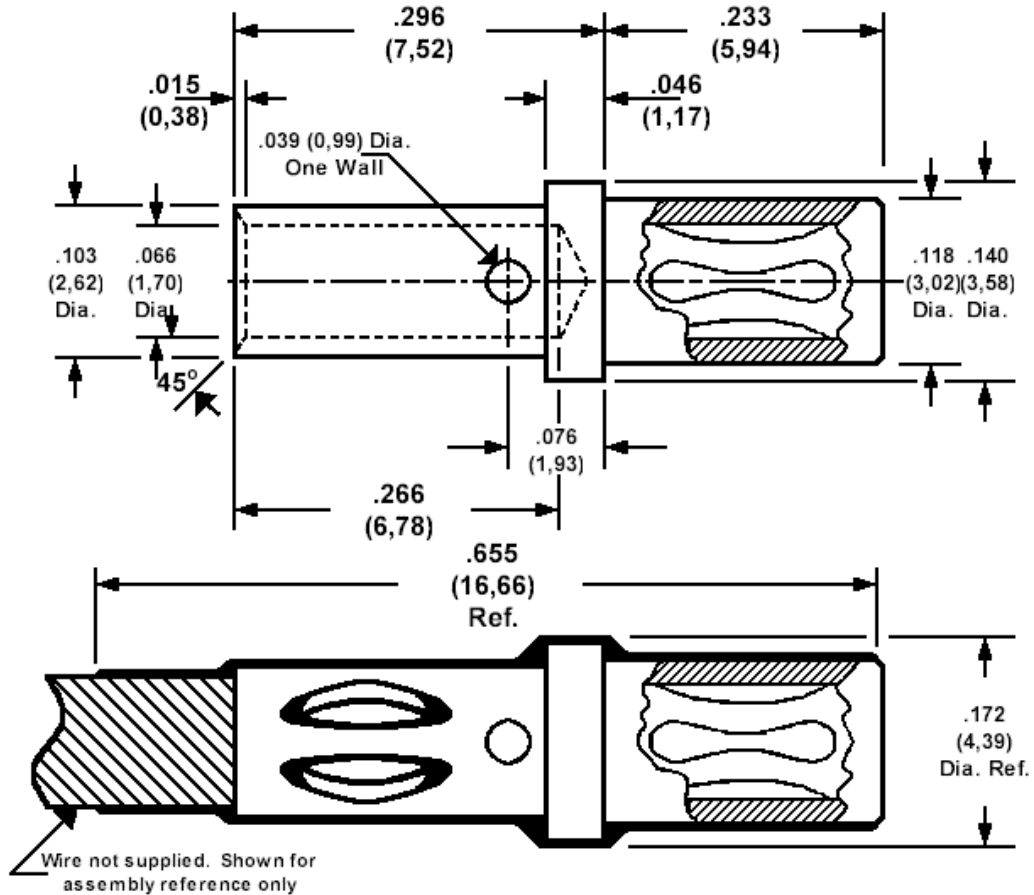


**450-3413 socket for patch lead ends, .059 - .062 (1,52 - 1,57) diameter pins**  
 (supplied with loose heat shrink insulator)  
 (socket supplied without insulator - 450-0016)



Min hole depth (socket) .190 (4,83)

**How to order code**  
**450-3413-01-XX-10**  
 Basic Part No XX = Finish

MATERIALS				
Component	Material	Finish (-03)	Finish (-04)	Finish (-06)
Body	Brass	Gold over Nickel	Tin	Tin
Spring	Beryllium copper	Gold over Nickel	Tin	Gold over Nickel
Insulator	Polyolefin plastic (black) - Heat shrink (-10)			

Recommended hook up wire size is 20 AWG (7 strands of 28AWG) copper wire, insulated. (not supplied).

Will also accept 18 AWG (7 strands of 26AWG) copper wire, insulated and 16 AWG (19 strands of 29AWG) copper wire, insulated.

Recommended crimping pliers 435-5680-01-00-00