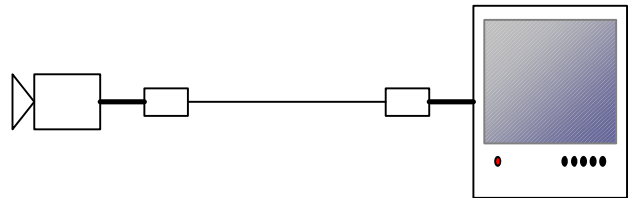


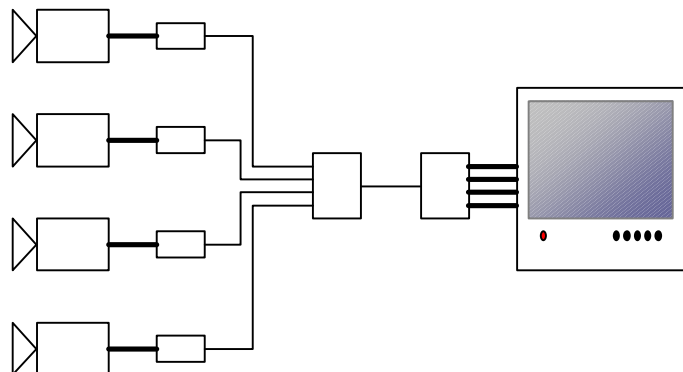
## CCTV Balun Systems For CAT5 Network Cable



Purpose of the CCTV balun is to allow traditional 75 ohm coax cable to be replaced by Category 5 (or better) twisted pair in the CCTV security and surveillance environment, thereby allowing CCTV camera and monitoring equipment to be deployed more cost-effectively using structured cabling techniques. For multiple camera installations savings of over 50% can be made

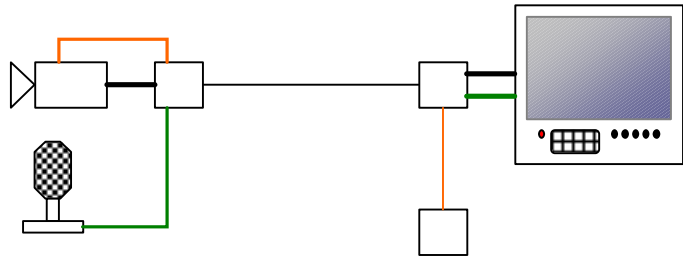
CCTV balun works with any analogue baseband video equipment that supports NTSC, PAL or SECAM systems; CCTV cameras, video multiplexers, video switchers, monitors, scan converters, signal boosters

### 4x Coaxial to CAT5 Balun



This module allows 4 camera signals to be transmitted down one CAT5 cable. The unit contains a balun for each signal line.

# Stereo Audio and Video to CAT5 Balun



This module allows stereo audio and video to be carried along the CAT 5 cable, A version that carries power to the camera is also available

## Typical balun specification per port

Bandwidth	: DC to 6 MHz
Impedance matching	: 75Ω BNC to 100Ω RJ45
Maximum input	: 1.5 Vp-p
Insertion Loss	: <2.5 dB to 6 MHz
Return Loss	: >15 dB to 6 MHz
Max. Distance colour	: 550m (1800 ft) Cat 5
Max. Distance b&w	: 700m (2200 ft) Cat 5
Operating Temp.	: -15 to 50 °C

## Description

75Ω to CAT 5 Single  
 75Ω to CAT 5 Single with power extraction  
 75Ω to CAT 5 Single with power insertion  
 75Ω to CAT 5 four way  
 75Ω to CAT 5 four way with power extraction  
 75Ω to CAT 5 four way with power insertion  
 75Ω to CAT 5 with stereo audio  
 75Ω to CAT 5 with stereo audio & power extraction  
 75Ω to CAT 5 with stereo audio & power insertion  
 RJ45 to RJ45 1Mtr  
 RJ45 to RJ45 2Mtr  
 RJ45 to RJ45 5Mtr  
 RJ45 to RJ45 10Mtr  
 RJ45 to RJ45 20Mtr  
 RJ45 to RJ45 back to back socket  
 Pigtail 2xBNC plug 75Ω 1Mtr  
 Pigtail 2 x Phono plug 1Mtr

## Cambion Part number

BSBALUN-1W  
 BSBALUN-1W-PE  
 BSBALUN-1W-PI  
 BSBALUN-4W  
 BSBALUN-4W-PE  
 BSBALUN-4W-PI  
 BSBALUN-1WA  
 BSBALUN-1WA-PE  
 BSBALUN-1WA-PI  
 BSCAT5-010  
 BSCAT5-020  
 BSCAT5-050  
 BSCAT5-100  
 BSCAT5-200  
 BDCAT5-TO-CAT5  
 BS2BNC-010  
 BS2PHONO-010

## Wearnes Cambion Ltd

Pevril House, Mill Bridge, Castleton, Hope Valley, Derbyshire S33 8WR, England  
 Tel 01433 621555 Fax: 01433 621290 e-mail: sales@cambion.com web: www.cambion.com